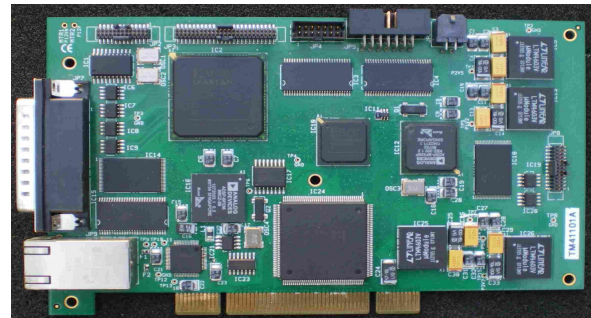


Platform overview

TEMP4000 is designed for industrial, communication, telemetry and prototyping applications.

It has two Blackfin processors BF535 and BF537 and a Xilinx FPGA Spartan 3S options [2000,4000,5000] for a wide range of applications. The TCP/IP function enhances the data transfer and monitoring functions. The platform has two interfaces: PCI and Ethernet. The Ethernet Interface allows the platform to function in stand alone mode.



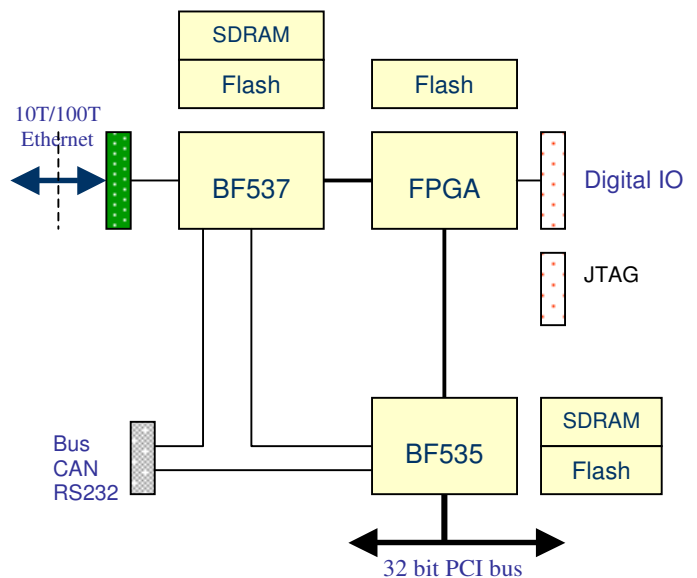
Please contact us for your IP core requirements for Communication, Telemetry, Imaging and industrial applications as well as hardware requirements. Deliverables include:

- Netlist
- Matlab and C code libraries for tests
- hardware if necessary

Services

- Algorithm development
- Hardware
- Software

Functional block diagram



Target Applications

| Target Applications | | | |
|--|--|---|---|
| Prototyping | Telemetry | Communication | Industrial |
| Demonstrator Industry Communication Multi Media Co-Simulator | Bit synchronizer Frame synchronizer Multipliers Base Band Modem Instrument Network - Controller | Modulator Demodulator Single Carrier Multi Carrier GPS Base band processor | Automobile Network Computing Embedded Computing Industrial Controller Domotics Prototyping |

Navtel Systems offers a wide range of hardware and software solutions for your embedded industrial and communications applications

Stand alone mode enclosures available in two versions: 1U rack and box version for TMP4000 products

