

PCI or stand alone configuration

NTL5000SX is a multi-applications platform designed to work in PCI environment or stand alone mode. In stand alone mode Neptune series enclosures are available to carry NTL5000SX and user specific modules.

Target Applications

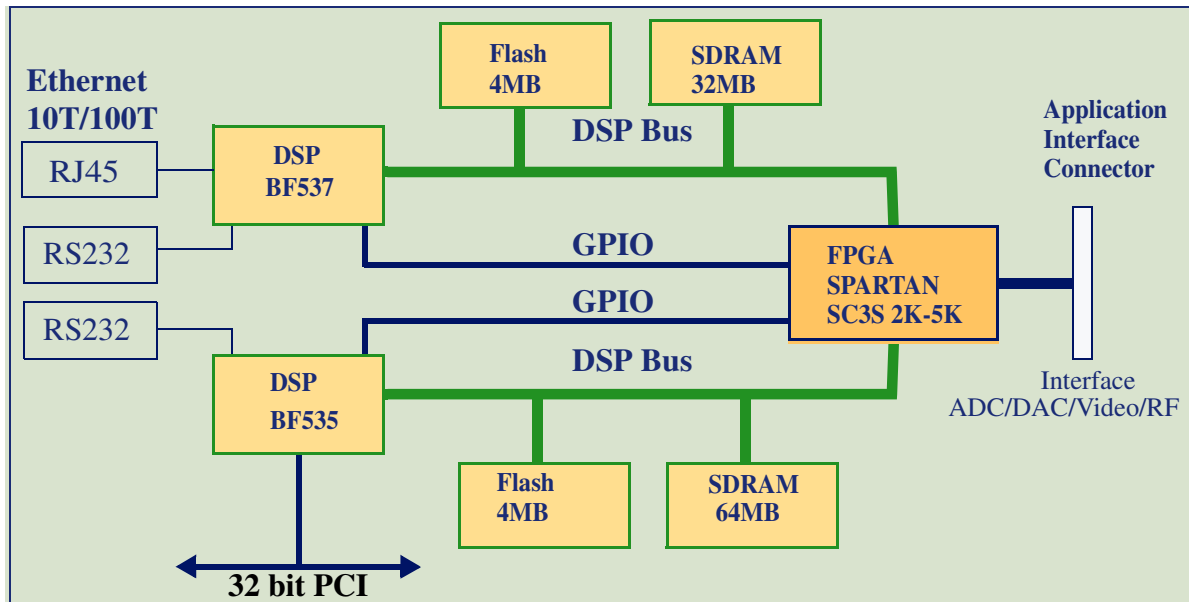
- Video
- Telemetry
- Galileo GPS
- Instrumentation
- Automobile
- Software radio
- Co-simulation

Libraries are available in two forms:

- IP Cores: Telemetry,Communication,Video
- C library : Telemetry,Communication,Video

Features	
DSP	
DSP1 : BF535 - SDRAM 64MB - Flash 4MB DSP2 : BF537 - SDRAM 32MB - Flash 4MB	
FPGA	
Spartan XC3S : 2000/3000/4000/5000	
Interface	
PCI 32 bit Ethernet: 10/100T RS232 CAN GPIO	
Configuration	
PCI Ethernet	
System Level	
Product Enclosures Neptune series rack MB1000: Small Box Enclosure	
Form Factor	
Half Size PCI Board	

Conceptual overview



Contact information

Navtel Systems
 2 bis rue Muette
 28700 Houville-la-Branche
 France
 Tel. + 33 (0)2 37 25 77 22
 + 33 (0)2 37 25 75 14
 Fax. + 33 (0)2 37 25 79 83

Services

- Algorithms development
- Hardware
- VHDL and C based Applications
- Co-Simulation
- Integration and Test

info@navtelsystems.com

www.navtelsystems.com

Copyright Navtel Systems 1994 - 2008

All rights reserved. This information is subject to change without prior notice