

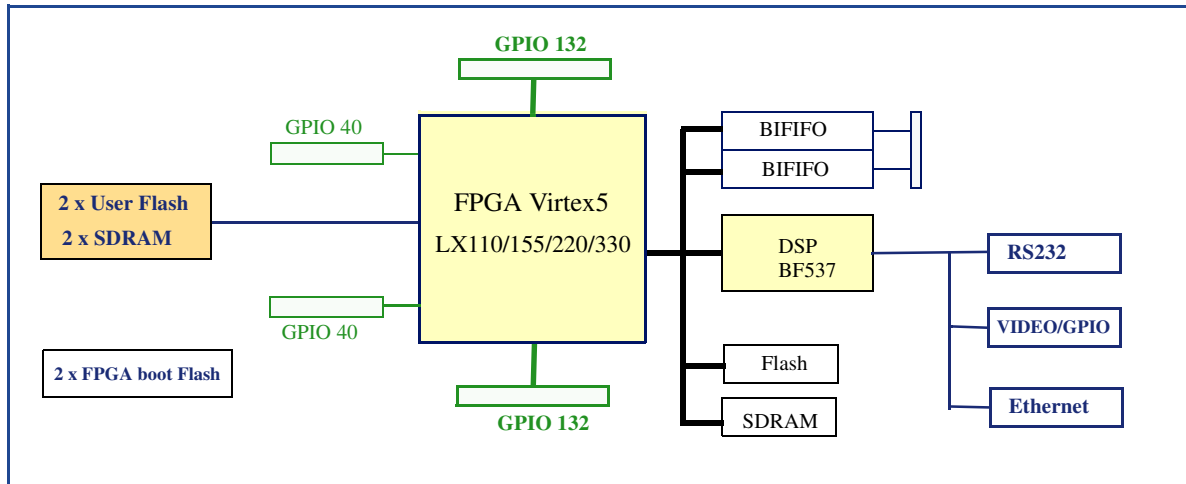
HPC 28000 - KLX is a multi application evaluation platform used in single or multiple modules configurations. These configurations allow the development of system level COTS products using Galaxy platform.

Target Applications

- **ASIC Prototyping**
- **Error Corrector : Example DVB-S2, LDPC and BCH**
- **DVB-S2 Modulator and Demodulator**
- **DVB-T2/H/SH**
- **Particle Filter**
- **Imaging**
- **Software Radio**
- **Cognitive Radio**
- **Radar and Sonar**
- **Co-simulation**

Features	
FPGA	
FPGA: XC5LX110/155/220/330FF1760 FPGA_SDRAM: 2 x 16MB FPGA_User_Flash: 2 FPGA_Boot_Flash: 2 FPGA_N_GPIO: 4 groups	
DSP	
DSP: BF537	
Module level Interface	
Ethernet: 10/100T RS232 DSP_GPIO	
Configuration	
Single Module Application Multi Module Application	
System Level	
Single or multi module HPC28000-KLX RF/Video/User modules Ethernet Interface 1Gbs	
Enclosures	
- Galaxy Series - Neptune Series - SM1000 Series	

Conceptual overview



Application libraries are available in the form of IP cores and in C execution files

Contact information

Navtel Systems
2bis rue Muette
28700 Houville-la-Branche
France
Tel. + 33 (0) 2 37 25 77 22
+ 33 (0) 2 37 25 75 14
Fax. + 33 (0) 2 37 25 79 83

Services

- Algorithms development
- Hardware
- VHDL and C based Applications
- Co-simulation
- Integration and Test

info@navtelsystems.com
www.navtelsystems.com

Copyright Navtel Systems 1994 - 2008

All rights reserved. This information is subject to change without prior notice